

CORRTEC

CORRTEC® CHEMICAL & CORROSION RESISTANT MATERIALS



The VYCOM CORRTEC® family of chemical and corrosion resistant materials offers many polymer options including PVC (Types I and II), CPVC, HDPE, PP, and CoPP formulations. These materials are designed to meet requirements in chemical handling, air processing, industrial tanks, pharmaceuticals, waste water management, and many more industries. The CORRTEC® family can handle everything from highly technical applications to your most basic needs.

VINTEC® I (TYPE I, GRADE 1 PVC)

Vintec® I is a normal impact, highly corrosion resistant PVC sheet. Its exceptional corrosion resistance is ideally suited for applications where maximum chemical defense is necessary.

Top Applications:

- Chemical Processing Equipment
- Air Handling (Scrubbers, Ducts, and Fume Hoods)
- Acid Baths
- Fabricated Piping Components
- Laboratory Workstations
- Pool Components
- Plating Tanks
- Electrical Cabinets

Key Material Benefits:

- Chemical & Corrosion Resistance
- Strength-to-Weight Ratio
- Easily Fabricated or Welded
- Cost Effective

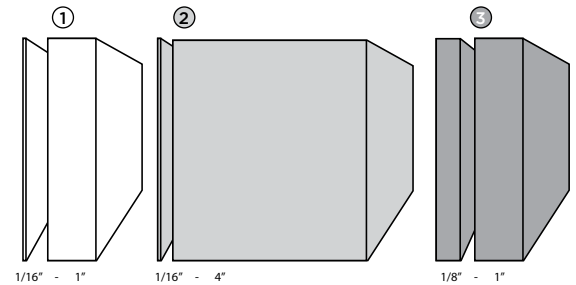
Competitive Advantages

(vs. similar materials):

- Higher Heat Distortion Temperature
- Superior Chemical Resistance
- Does Not Contain Plasticizers or Fillers
- Oversized Sheets
- Proven Industry Standard Formula (30 Year History)

Compliances:

- ASTM-D-1784
- UL 94 V-0
- ASTM-E-84 (Flame Spread ONLY)



COLORS	① WHITE	② GRAY	③ EURO GRAY
THICKNESSES	1/16" - 1"	1/16" - 4"	1/8" - 1"

Standard sheet sizes in most formulations are 4' x 8'. Custom colors and sizes available upon request.

VINTEC® II (TYPE II, GRADE 1 PVC)

Vintec® II is a high impact, corrosion resistant PVC sheet. Its excellent impact resistance and ductility are ideally suited for applications that require thermoforming or where the finished product is subject to shock or physical abuse.

Top Applications:

- Air Handling (Scrubbers, Ducts, and Fume Hoods)
- Chemical Processing Equipment
- Fabricated Piping Components
- Transitions
- Electrical Cabinets
- Junction Boxes
- Consoles

Key Material Benefits:

- High Impact (15x Greater vs. Standard PVC)
- Chemical & Corrosion Resistance
- Thermoformable & Vacuum Formable
- Can be Cold Rolled
- Rigidity
- Light Weight
- Fire Retardant Performance

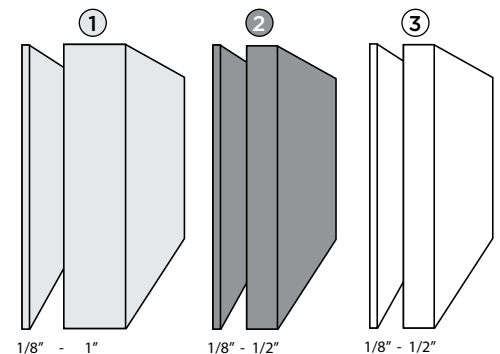
Competitive Advantages

(vs. similar materials):

- Higher Heat Distortion Temperature
- Superior Chemical Resistance
- Improved Stiffness
- Oversized Sheets

Compliances:

- ASTM-D-1784
- UL 94 V-0
- ASTM-E-84 (Flame Spread ONLY)
- RoHS Compliant
- REACH Compliant



COLORS	① LIGHT GRAY	② DARK GRAY	③ WHITE
THICKNESSES	1/8" - 1"	1/8" - 1/2"	1/8" - 1/2"

Standard sheet sizes in most formulations are 4' x 8'. Custom colors and sizes available upon request.

PROTEC[®] PP (HOMOPOLYMER POLYPROPYLENE)

Protec[®] PP chemical and corrosion resistant materials exhibit excellent tensile stiffness and mechanical properties for use in a wide variety of industrial applications.

Top Applications:

- Chemical and Liquid
 - Tanks & Secondary Containment
- Laboratory and Cleanroom
 - Containment Cabinetry, Furniture, & Fume Hoods
- Medical - Orthotic and Prosthetic
- Food Processing
 - Manufacturing & Preparation Components
- Air Processing - Fume Hoods & Ducting
- Die Cutting Pads

Key Material Benefits:

- Chemical & Corrosion Resistance
- No Moisture Absorption
- High Strength to Weight Ratio
- Superior Versatility
- Greater Hardness & Stiffness vs. HDPE
- Easy to Fabricate, Weld, Machine, Thermoform, & Vacuum Form

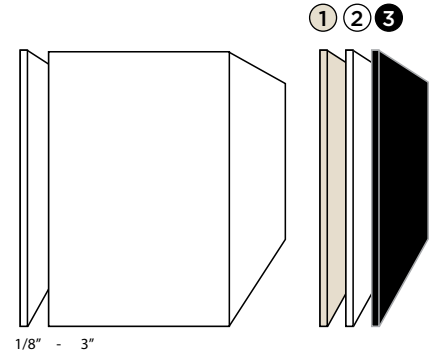
Competitive Advantages

(vs. similar materials):

- Resin Consistency
- Lower Stress
- Inventory in Colors, Thicknesses, & Sheet Sizes
- Custom Colors
- Oversized Sheets
- Turns Clear when Heated

Compliances:

- FDA
- USDA
- NSF (Natural Only)
- RoHS Compliant
- REACH Compliant



COLORS	① NATURAL	② WHITE	③ BLACK
THICKNESSES	1/8" - 3"	1/8" - 3"	1/8" - 1"
FINISH	SMOOTH	SMOOTH	SMOOTH

Standard sheet sizes in most formulations are 4' x 8', 4' x 10', 5' x 10'. Custom colors and sizes available upon request.

PROTEC[®] CoPP (COPOLYMER POLYPROPYLENE)

Protec[®] CoPP provides high levels of impact and corrosion resistance. It's a great material for tank fabrication, orthotic and prosthetic devices, and many more applications.

Top Applications:

- Chemical & Liquid
 - Tanks and Secondary Containment
- Steel Processing & Moving Tanks
- Medical - Orthotic and Prosthetic
- Fire Truck Tanks & Rescue Equipment
- Waste Water Management
- Food Processing
 - Manufacturing / Preparation Components

Key Material Benefits:

- Higher Impact & Shock Resistance
- Lower Rigidity than Homopolymer
- Chemical & Corrosion Resistance
- High Strength to Weight Ratio
- Great Versatility
- No Moisture Absorption
- Easy to Fabricate, Weld, Machine, Thermoform, & Vacuum Form

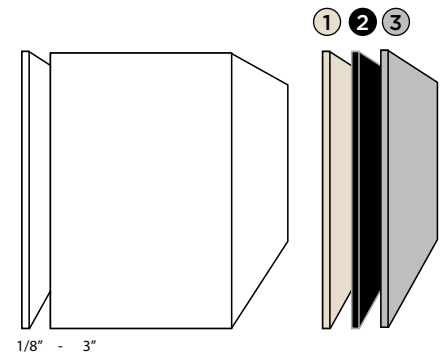
Competitive Advantages

(vs. similar materials):

- Lower Stress Material
- Inventory in Colors, Thicknesses, & Sheet Sizes
- Oversized Sheets
- Custom Colors & Sizes

Compliances:

- FDA
- USDA
- NSF (Natural Only)
- RoHS Compliant
- REACH Compliant



COLORS	① NATURAL	② BLACK	③ EU-ROGRAY
THICKNESSES	1/8" - 3"	1/8" - 1"	ROGRAY
FINISH	SMOOTH	SMOOTH	1/8" - 1/2"

Standard sheet sizes in most formulations are 4' x 8', 4' x 10', 5' x 10'. Custom colors and sizes available upon request.

HITEC[®] HDPE

Hitec[®] HDPE is a versatile material for use in a wide variety of applications and industries.

It has excellent impact strength, scratch and chemical resistance, stiffness, and minimal moisture absorption.

Top Applications:

- Food Processing
- Chemical & Liquid
 - Tanks & Secondary Containment
- Machined & Fabricated Parts
- Wood & Metal Replacement
- Guides & Wear Plates
- Material Handling Systems
- Die Cutting Pads
- Dunnage / Racking
- Medical - Orthotics and Prosthetics

Key Material Benefits:

- Chemical & Corrosion Resistance
- Impact & Abrasion Resistance
- No Moisture Absorption
- Easy to Fabricate, Weld, Machine or Thermoform
- Wide Variety of Uses
- Superior Versatility

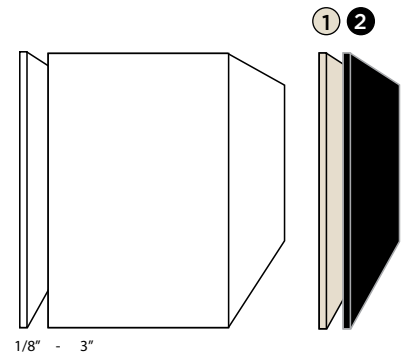
Competitive Advantages

(vs. similar materials):

- Scratch Resistance
- Lower Stress
- NSF Compliant (Natural)
- Oversized Sheets
- Inventory in Colors, Thicknesses & Sheet Sizes

Compliances:

- FDA
- USDA
- NSF (Natural Only)
- RoHS Compliant
- REACH Compliant



COLORS	① NATURAL	② BLACK
THICKNESSES	1/8" - 3"	1/8" - 1"
FINISH	SMOOTH OR MATTE	SMOOTH OR MATTE

Standard sheet sizes in most formulations are 4' x 8', 4' x 10', 5' x 10'. Custom colors and sizes available upon request.

CORZAN[®] CPVC

Corzan[®] CPVC is a heat and corrosion resistant sheet. Because of its excellent corrosion resistance at elevated temperatures, it is ideally suited for self-supporting constructions where high temperatures are a concern.

Top Applications:

- Plating & Stripping Tanks
- Air Handling
 - (Scrubbers, Ducts, and Fume Hoods)
- Pipe Flanges and Spacers
- Wastewater Treatment
- Electrical Cabinets

Key Material Benefits:

- Chemical Resistance
- High Heat Stability
- Integrated Systems
- Cost Effectiveness

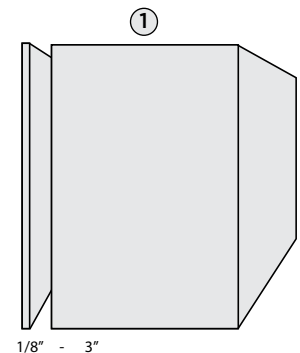
Competitive Advantages

(vs. similar materials):

- Gauge Consistency
- Extruded (up to 1") vs. Pressed or Laminated Products
- Compatibility with other Corzan Components
- Range of Thicknesses

Compliances:

- ASTM-D-1784
- Meets UL 94 V-0 Testing Criteria
- RoHS Compliant



COLORS	① LIGHT GRAY
THICKNESSES	1/8" - 3"

Standard sheet sizes in most formulations are 4' x 8', 4' x 10'. Custom sizes available upon request.

VINTEC[®] CLEAR

Vintec[®] Clear is a transparent PVC material. It is highly recommended where visibility of a process or an operation is essential. Vintec Clear is impact and corrosion resistant.

Top Applications:

- Sight Windows
- Sight Ports
- Machine Guards
- Inspection Panels
- Formed Covers

Key Material Benefits:

- Chemical Resistance
- Transparency
- Stiffness
- Impact Resistance

Competitive Advantages

(vs. similar materials):

- Maintains Optimal Quality When Heat Formed
- Good Light Transmittance
- Consistent Blue Tint
- Oversized Sheets

Compliances:

- UL 94 V-0
- ASTM-D-1784
- RoHS Compliant

COLORS	① SLIGHT BLUE TINT
THICKNESSES	1/16" - 1/2"

Standard sheet sizes in most formulations are 4' x 8'.
Custom colors and sizes available upon request.





8

9

10

11

12

13

14

15

16

17

18

19

20

21

22

23

24

25

26

27

28

29

30

31

32

33

34

35

36

37

**HITEC® HDPE
NATURAL**

**VINTEC® I
WHITE**

**VINTEC® II
WHITE**

**PROTEC™
NATURAL COPOLY**

**PROTEC™ PP
WHITE**

VINTEC® CLEAR PVC

**PROTEC™ CoPP
EURO GRAY**



VYCOM[®]

OLEFIN & PVC SHEET

These suggestions and data are based on information we believe to be reliable. They are offered in good faith, but without guarantee, as conditions and methods of use are beyond our control. We recommend that the prospective user determines the suitability of our materials and suggestions before adopting them on a commercial scale.

© 2024 PLASKOLITE, LLC 062024
 VYCOM[®] and PLAYBOARD[®] are registered trademarks of PLASKOLITE LLC

PLASKOLITE

400 W. Nationwide Blvd, Suite 400
 Columbus, OH 43215
 800.848.9124 • Fax: 877.538.0754
plaskolist@plaskolite.com
www.plaskolite.com