



## CONNECTION PROFILES AND ACCESSORIES FOR MULTIWALL SHEETS

### PLASKOLITE CONNECTION PROFILES

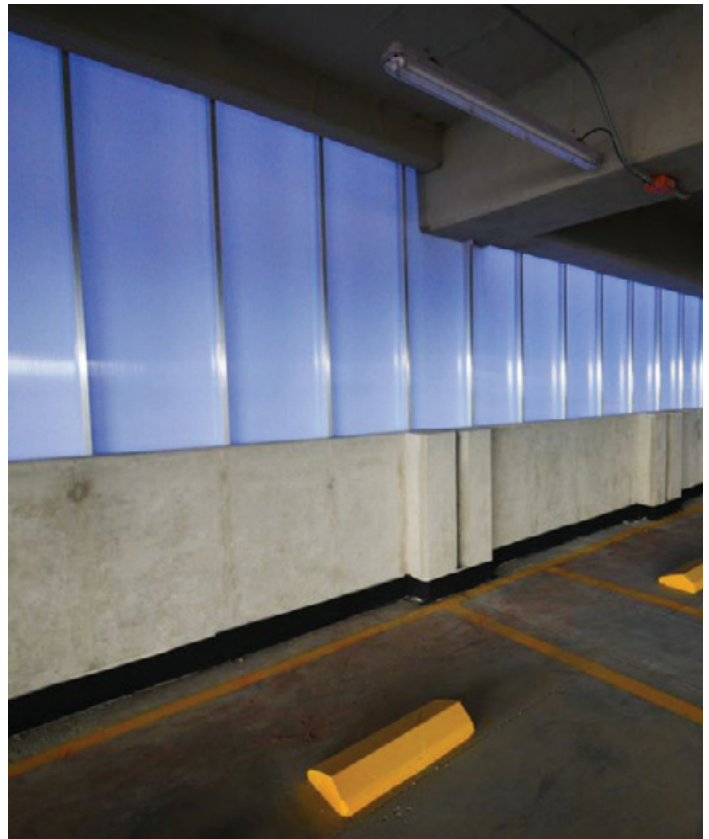
#### DESCRIPTION

PLASKOLITE interconnecting polycarbonate and/or aluminum profiles for PC multiwall sheets and systems are available in unlimited lengths, easy to handle, install and suit most type of roofing and cladding applications.

#### PROPERTIES

Profiles usually supplies in standard 6-meter lengths and has following advantages:




- » Flexible and easy to use
- » Light weight
- » Unbreakable
- » UV blocking layer
- » Daylight transmission
- » Environmentally friendly
- » Easily be connected together to form reliable joints
- » Wide range using for architectural projects
- » Manufactured in all standard colors



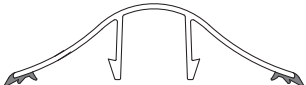
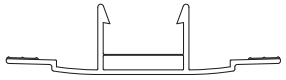

# CONNECTION PROFILES AND ACCESSORIES FOR MULTIWALL SHEETS

## RECOMMENDED POLYCARBONATE CONNECTION PROFILES

**Easy Clip (ECP) connection profiles** are for use with sheets having a thickness from 6 to 10 mm and can be used in a wide variety of DIY, simple architectural and agricultural applications. The profiles have a special “snap-and-click” design which does not require support of the base profile from below when installing, making them especially suitable for high roof installations. The system includes screws for fixing the base profile to the support structure.

# 232 PC Cap Profile (All thicknesses)	
# 233 PC Base Profile (for 6 mm)	
# 234 PC Base Profile (for 8 and 10 mm)	

**GCP (Gasket Clip Profiles) connection profiles** with integrated gaskets are intended for use with sheets having a thickness from 6 to 10 mm sheets and are designed for greater water sealing capability. This system can be used in a wide variety of DIY, simple glazing and agricultural applications. The profiles have a “snap-and-click” design for connecting of base and cap profiles. The system is available with both polycarbonate or aluminum base profiles and includes screws for fixing the base profile to the support structure.


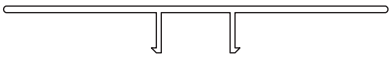
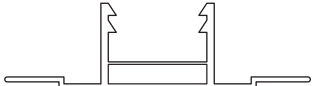
# 251 PC Cap Profile (for 6, 8 and 10 mm)	
# 252 PC Base Profile (All thicknesses)	
# 331 Aluminum Base Profile* (All thicknesses)	

## FINISHING ACCESSORIES

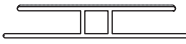
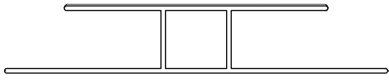
- » Aluminum Edge Profiles for trimming the sheets upper and lower edges
- » Polycarbonate Edge Profiles for trimming the sheets upper and lower edges
- » Screw for connection of MWPC sheet to supporting structure
- » EPDM dome gasket and metal washer for sealing and fastening
- » Anti-Dust tape for sealing the top and bottom edges of multiwall polycarbonate
- » Sealant materials for sealing

These suggestions and data are based on information we believe to be reliable. They are offered in good faith, but without guarantee, as conditions and methods of use are beyond our control. We recommend that the prospective user determines the suitability of our materials and suggestions before adopting them on a commercial scale.

\* With EPDM Glazing Gaskets (#524)  
**HCP connection profiles** are intended for use with sheets having a thickness from 6 to 16 mm and can be used in a wide variety of DIY and agricultural applications. The profiles have a “snap-and-click” design for connecting of base and cap profiles. The system includes screws for fixing the base profile to the structure.

HCP Cap Profile (for 8 and 10 mm)	
HCP Cap Profile (for 16 mm)	
HCP Base Profile (All thicknesses)	

**HP Connection profiles** are intended for sheets with a thickness 4 to 16 mm sheets and designed for a simple connection of sheets in DIY applications.

HP Cap Profile (for 4 and 8 mm)	
HP Cap Profile (for 10 and 16 mm)	

## RECOMMENDED ALUMINUM GLAZING SYSTEM

Mega Lock (MGL) glazing system is specially designed for use in glazing with 8 to 16 mm polycarbonate multi wall sheets. The system has a rabbet depth of 20 mm, which enhances its fastening properties and prevents glazing failures due to wind and snow loads or thermal expansion. The profiles are interconnected by means of self-drilling screws of different lengths. The system includes screws for fixing the base profile to the support structure.

352 # *AL Cap Profile	353 # Base Aluminum	308 # Aluminum Cover
		

## Important guidelines

Various sealants or materials, including silicones, flexible seals, screw washers and all materials, which intended for contact with the polycarbonate profiles, should always be tested by PLASKOLITE Lab.

# PLASKOLITE

400 Nationwide Blvd, Suite 400  
Columbus, OH 43215  
800.848.9124 • Fax: 877.538.0754  
plaskolite@plaskolite.com  
www.plaskolite.com